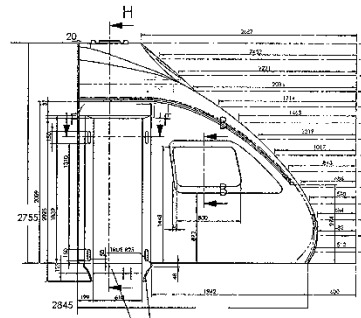
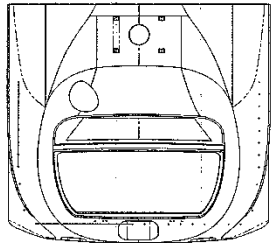
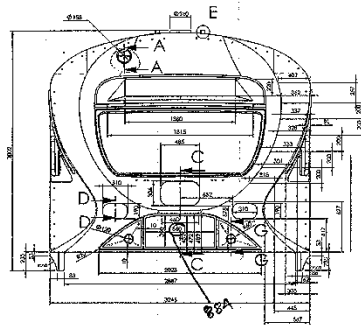


DATE: _____
 INTERNAL TO FACTORY
 CHENNAI, INDIA

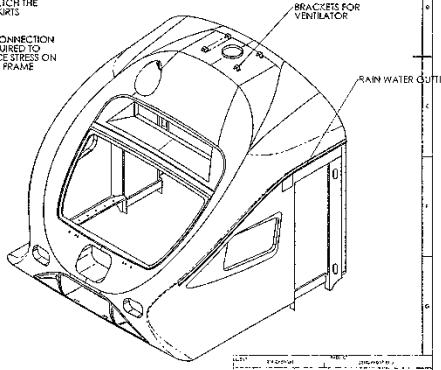
1. ALL DIM APPE IN MM UNLESS OTHERWISE SPECIFIED
2. SURFACE FINISH IN MM
3. REMOVE ALL BURRS AND SHARP EDGES.
4. DO NOT SCALE
5. TOLERANCE UNLESS OTHERWISE SPECIFIED TO BE
6. X.XX ±0.01 - X ±0.25
- X.X ±0.1 - ANGULAR ±0.5

DATE	10/04/10	BY	ANAND
KINECO			
OUTER COMPOSITE SHELL			
100-1101			



APPROVED with
 Corrections marked in red.
[Signature]
 DATE _____
 INTEGRAL GEAR FACTORY
 CHENNAI - 600 032, INDIA.

PROJECTION REQUIRED TO MATCH THE SIDE SKIRTS
 THIS CONNECTION IS REQUIRED TO REDUCE STRESS ON DOOR FRAME



1. ALL DIM ARE IN MM UNLESS OTHERWISE SPECIFIED.
2. SURFACE FINISH IN μm
3. REMOVE ALL BURRS AND SHARP EDGES.
4. DO NOT SCALE
5. TOLERANCE UNLESS OTHERWISE SPECIFIED TO BE
 $\pm .02$ $\pm .01$ \times $\pm .02$
 $\times \times$ $\pm .01$ ANGULAR $\pm .0.5$

KINECO
 OUTER COMPOSITE SHELL

NO	REV	DESCRIPTION	DATE