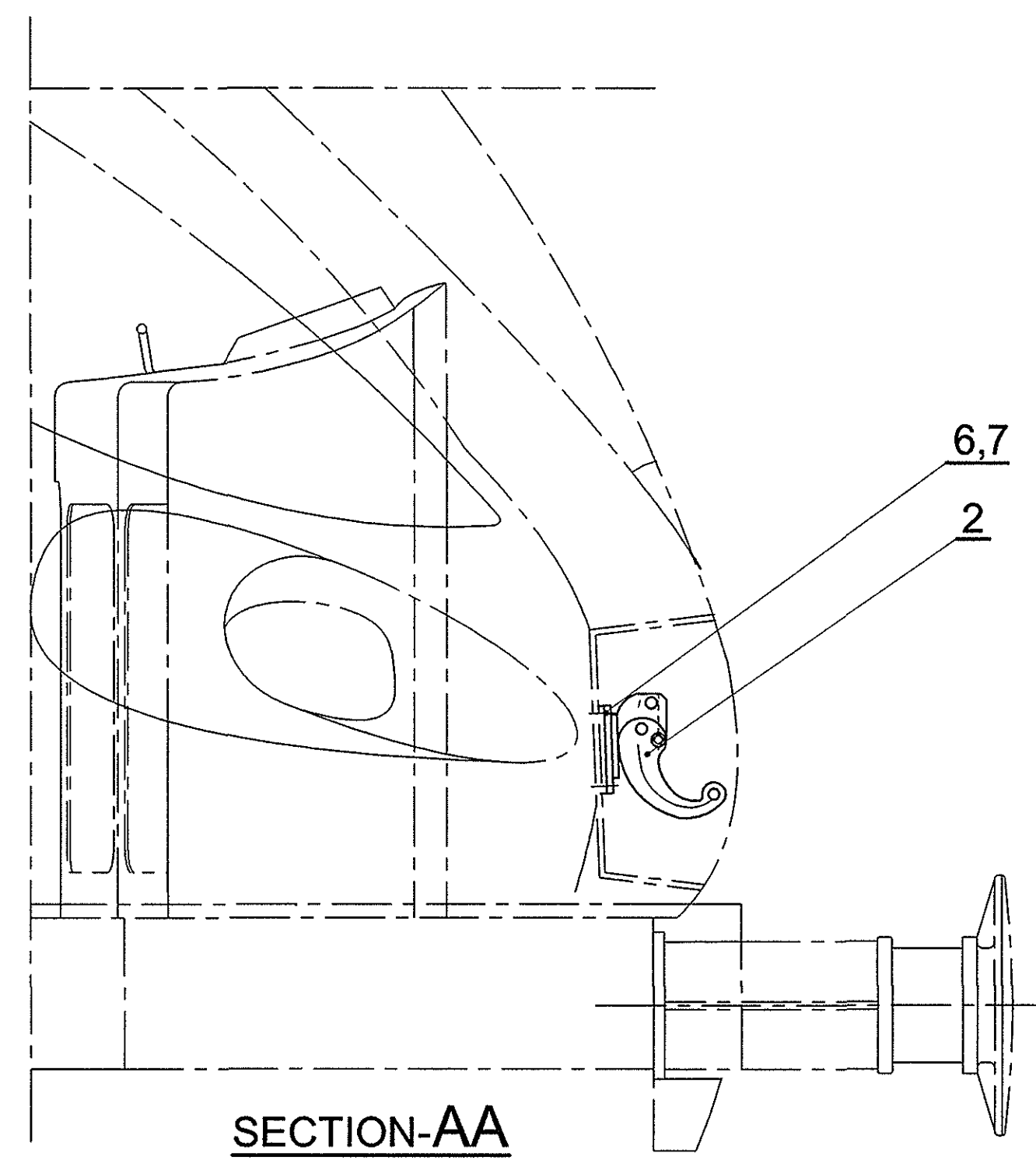
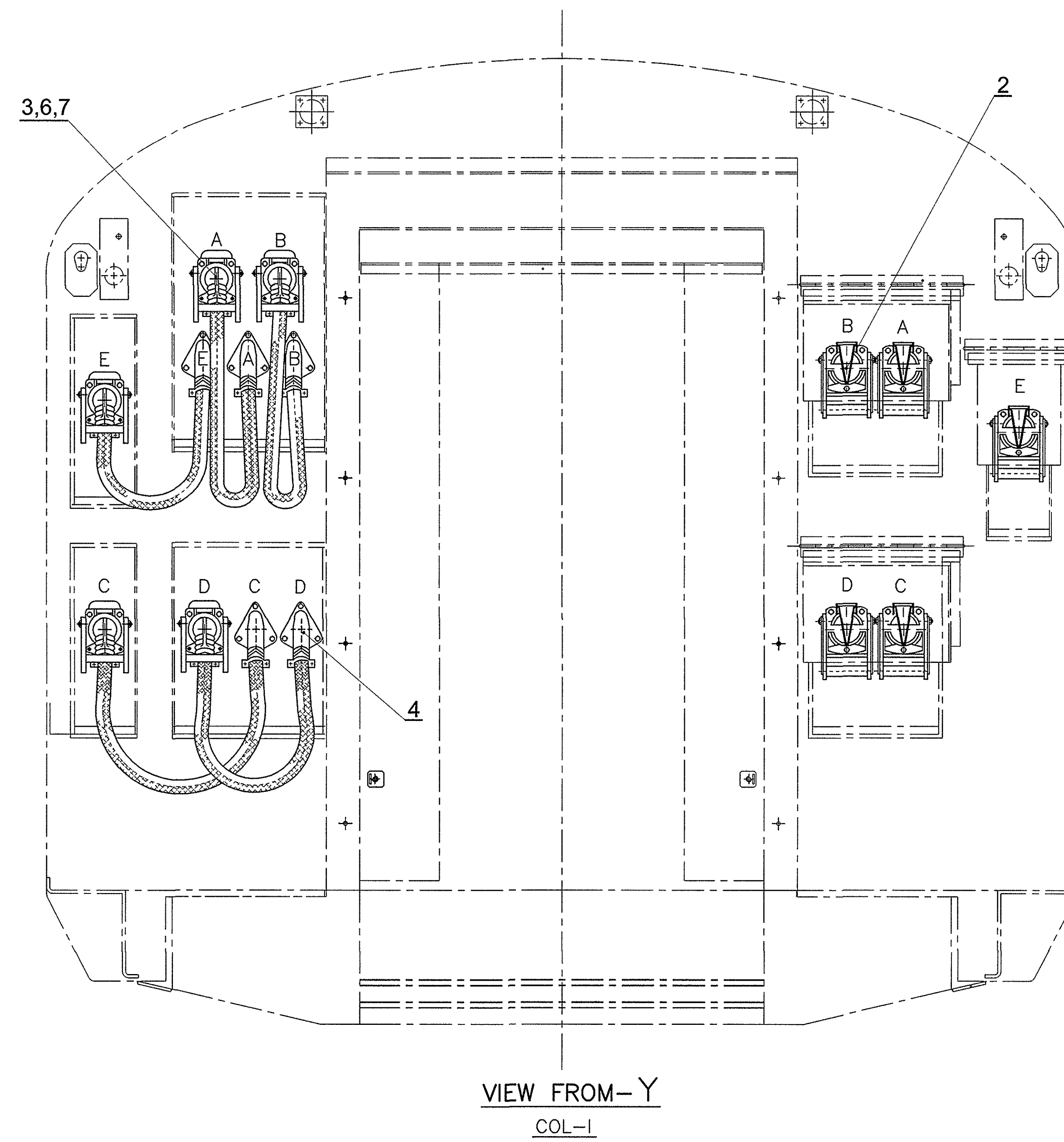


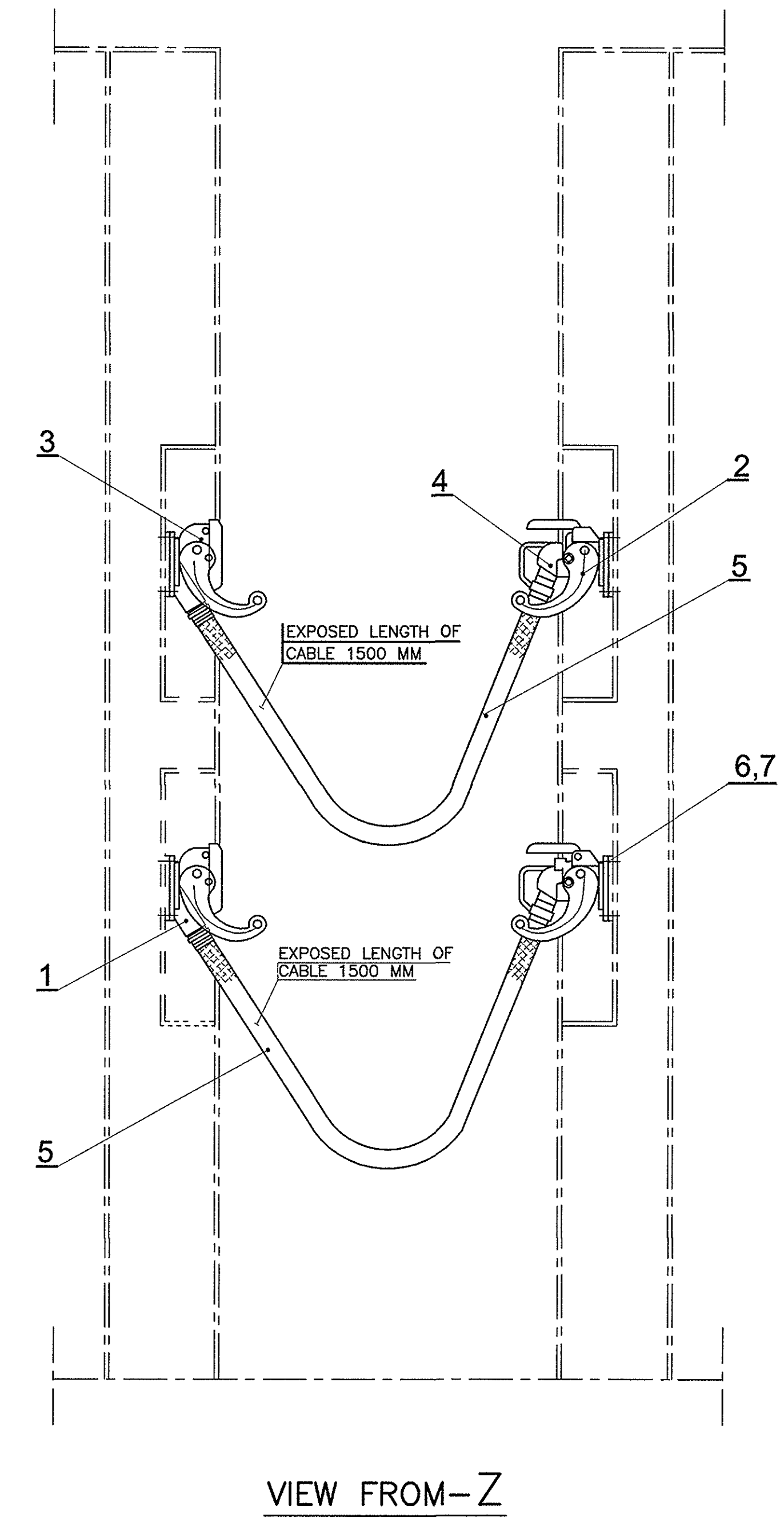
VIEW FROM-X
COL-II



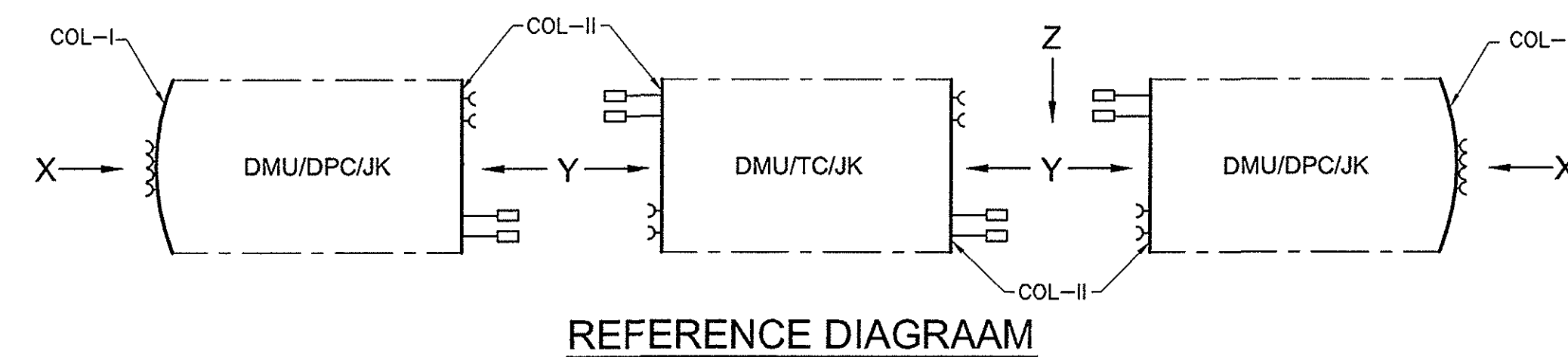
SECTION-AA



VIEW FROM-Y
COL-I



VIEW FROM-Z



REFERENCE DIAGRAM

NOTE:-

* 1 THINWALLED 4 SQ MM 19 CORE JUMBER CABLE TO RDSO
SPECIFICATION NO ELRS/SPEC/ELC/0019 (REV-0) MAY-2003,1800V GRADE

☆ NO OF ASSY REQUIRED PER COACH

| COL | I | II | | |
|-------------|---|----|--|--|
| COACH | | | | |
| DMU/DPC/JK | 1 | 1 | | |
| DMU/TC1/JK | 2 | - | | |
| DMU/TC2/JK | 2 | - | | |
| DMU/DPC/JK2 | 1 | 1 | | |
| DMU/TC1/JK2 | 2 | - | | |
| DMU/TC2/JK2 | 2 | - | | |

| NO | OFF | DESCRIPTION & DIMENSIONS | ITEM | REF DRGS | MAT. SPEC | WEIGHT/UNIT | REMARKS |
|-------------------------------------------------|----------|--------------------------|------------|----------------------------|--------------------|-------------------|---------|
| 12 | 45 | SPRING WASHER M8 | 7 | IS 3063-72 T-1 TYPE-B | IS 4072-75 GR-3 | | GALVD |
| 12 | 45 | HEX HD SCREW M8 x 40 | 6 | IS 1363 (R)1994 168 162 | | | GALVD |
| - | 5 | JUMBER CABLE | 5 | | | | * |
| - | 5 | PLUG | 4 | ICF/SK- 7-5-054 | | | |
| - | 5 | DUMMY SOCKET | 3 | ICF/SK- 7-5-053 | | | COL II |
| 4 | 5 | COUPLER SOCKET | 2 | ICF/SK- 7-5-053 | | | COL I |
| - | 5 | JUMBER ELBOW | 1 | ICF/SK- 7-2-293 | | | COL II |
| NO | OFF | DESCRIPTION & DIMENSIONS | ITEM | REF DRGS | MAT. SPEC | WEIGHT/UNIT | REMARKS |
| IV | III | GROUP:- 7-5 | | | | | |
| ARRANGEMENT OF COUPLER SOCKET ON ENDWALL | | | | | | | |
| PER ASSY | PER ASSY | DMU/TC1/JK-7-6-001 | | DMU/DPC/JK-7-6-001 | | ASSEMBLY DRAWINGS | |
| ☆ | ☆ | CAD FILE | ED-CAD\319 | 7 | 5 | 001-SA00 DWG | |
| DATA | CODE No | INDIAN RAILWAY STANDARDS | | SHEET | 1 OF 1 | | |
| 319 | | | | | DMU/DPC/JK-7-5-001 | | |

| | | | |
|----------|--------------------|---------------------|----------|
| 29-09-10 | 17-04-06 | DY CEE/D | DY.CEE/D |
| ALT. | DATE OF LATEST ALT | DATE OF FIRST ISSUE | |