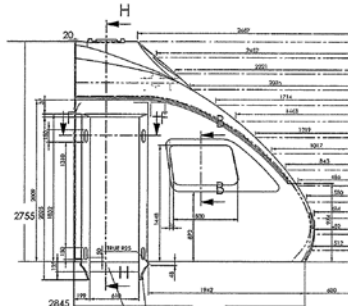
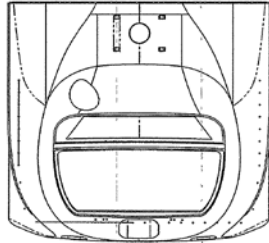
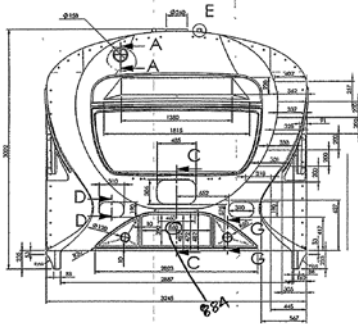
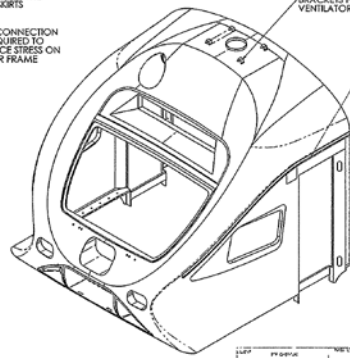


DATE _____
 INTEGRAL TECHNOLOGY
 CHENNAI-600 085, INDIA

KINECO
 OUTER COMPOSITE SHELL
 100-1101



PROJECTION REQUIRED TO MATCH THE SIDE SKIRTS
 THIS CONNECTION IS REQUIRED TO REDUCE STRESS ON DOOR FRAME



APPROVED WITH
 Corrections marked in Red
 J. S. Srinivas
 DATE
 INTEGRAL COMPOSITE FACTORY
 CHENNAI - 600 630, INDIA.

1. ALL DIM ARE IN MM UNLESS OTHERWISE SPECIFIED.
2. SURFACE FINISH IN μm
3. REMOVE ALL BURRS AND SHARP EDGES.
4. DO NOT SCALE.
5. TOLERANCE UNLESS OTHERWISE SPECIFIED TO BE
 $XX \pm 0.1$ $XX \pm 0.25$
 $XX \pm 0.1$ ANGULAR ± 0.5

KINECO
 OUTER COMPOSITE SHELL

NO.	REV.	DESCRIPTION	DATE